



Chhattisgarh State Renewable Energy Development Agency (CREDA)

(Dept. of Energy, Govt. of Chhattisgarh)

Near Energy Education Park, Village Fundhar

VIP (Air Port Road) Raipur 492015 (C.G.)

Ph.: 91-8370009931

E-mail: creda.om@gmail.com, Website: creda.co.in

BID DOCUMENT NO. 9100/CREDA/HOR/RE-III/O&M/ SPARE SDP /2020-21 DT-26.10.2020

RFX Number- 8100019154

Tender for standardization of rates for Supply of “DC Submersible Pump, Controller, AC/DC universal Submersible Pump, Water level controller etc. and various spare materials for maintenance of solar Dual pumping system anywhere in the state of Chhattisgarh.

Particulars	From Date & Time	To Date & Time	Place
Date of issue of notice inviting bid	26-10-2020 05:00 pm	----	http://www.cspc.co.in
Submission of Pre Bid queries in writing	02-11-2020 10:00 am	02-11-2020 05:00 pm	At Head office CREDA
Display & Inspection of Samples	06-11-2020 02:00 pm	06-11-2020 05:00 pm	At Head office CREDA
Submission of Technical Bid	26-11-2020 11:00 am	26-11-2020 03:00 pm	At Head office CREDA
Submission of e-Price Bid	03-11-2020 11:00 am	26-11-2020 03:00 pm	http://www.cspc.co.in
Opening of Technical Bid & Declaration of Eligible Tenderer	27-11-2020 11:00 am	27-11-2020 01:00 pm	At Head office CREDA
Opening of e- Price Bid	28-11-2020 02:00 pm	28-11-2020 03:00 pm	At Head office CREDA

Bid Document Cost– Rs.5000.00 + 18% GST = Rs.5900.00

(In words- Rupees Five Thousand Nine Hundred Only)

Document can also be downloaded from our website creda.co.in with the cost of tender as mentioned in NIT, which shall have to be deposited along with the tender document.

CHATTISGARH STATE RENEWABLE ENERGY DEVELOPMENT AGENCY (CREDA)

“CONTENTS”

No.	Description	Page No.
1.	Notice Inviting Tender	03-04
2.	Check List	05
3.	Undertaking of The Tenderer	06
4.	SECTION-01, Instruction For Bidders	07 - 11
5.	SECTION-02, General Condition of Contract	12-17
6.	SECTION-03, Scope of work and technical Specifications/ Drawing of Pumps, Pump controller and Float Switch Sensor and Other Items	18-27
7.	SECTION-04, E-PRICE BID	28-30
8.	Draft of Agreement	31-34
9.	Schedule-I, “Part-A” General Information	35
10.	Schedule-I, “Part-B” Commercial Information	36
11.	Schedule-II, “Part-C” Technical information	37
12.	Schedule-III, Technical Deviation	38
13.	Schedule IV, Past Experience	39
14.	Annexure-B, Experience Certificate	40
15.	END of Tender Document	41



NOTICE INVITING TENDER

RFX Number- 8100019154

CREDA invites sealed tenders from Manufacturer or only one authorized distributor from one state for standardization of rates for “Supply of (i) DC Submersible Pumps of capacity 600, 900, 1200, 1800 Watt, (ii) DC Pump Controller, (iii) Solar AC/DC universal Submersible Pump (Capacity 0.5/1/2 HP and 600/900/1200/1800 watt) having approx. 75 mm dia. with inbuilt Controller, (iv) water level Controller for AC/DC universal Submersible pump & (v) Float switch sensor (VI) Various maintenance items like- Water storage tank, stand post, HDPE pipe, wire rope etc. for maintenance of solar Dual pumping system work anywhere in the state of Chhattisgarh” As per following detail:

S N	Item Description	Approx. Quantity (changeable)	Tender Docum- ent Cost	EMD	Essentials
Part-A					
1	Supply of DC Submersible pump Capacity 0.5 HP, 1 HP, 1.5 HP, 2 HP	100 nos.	Rs. 5,900/-	Rs.2,00,000/-	As per SECTION- 01 INSTRUCTI ONS FOR BIDDERS
2	Supply of DC Pump controller for Capacity 0.5 HP, 1 HP, 1.5 HP, 2 HP	100 nos.			
3	Supply of AC/DC universal Submersible Pump (0.5HP /01/ 02 HP and 600/900/1200/1800 watt) having aprox. dia. 75 mm with inbuilt Controller	500 nos.			
4	Supply of water level Controller for AC/DC universal submersible pump.	500 nos.			
5	Supply of Float Level/Switch sensor	1000 nos.			
Part-B					
6	Various Maintenance item like- Water Storage Tank, Stand Post, HDPE Roll pipe, Wire Rope, Special Water Chamber etc. for Solar dual pump system	LS		Rs. 50,000/-	

The quantity of Items mentioned in the tender may vary as per actual site conditions and demand.

Important Events and time schedule for this Bid are as follows –

Particulars	From Date & Time	To Date & Time	Place
Date of issue of notice inviting bid	26-10-2020 05:00 pm	----	http://www.cspc.co.in
Submission of Pre Bid queries in writing	02-11-2020 10:00 am	02-11-2020 05:00 pm	At Head office CREDA
Display & Inspection of Samples	06-11-2020 02:00 pm	06-11-2020 05:00 pm	At Head office CREDA
Submission of Technical Bid	26-11-2020 11:00 am	26-11-2020 03:00 pm	At Head office CREDA
Submission of e-Price Bid	03-11-2020 11:00 am	26-11-2020 03:00 pm	http://www.cspc.co.in
Opening of Technical Bid & Declaration of Eligible Tenderer	27-11-2020 11:00 am	27-11-2020 01:00 pm	At Head office CREDA
Opening of e- Price Bid	28-11-2020 02:00 pm	28-11-2020 03:00 pm	At Head office CREDA

Aprox. Estimated Value of Tender:-Rs. 5.00 Crore

Cont.....



Price Bid shall be submitted online only at <http://www.cspc.co.in>, however Technical bid will have to be submitted in hard copy at Chief Engineer (RE – III) Section, Near Energy Education Park VIP Road, Raipur. Bidders are advised to follow the instructions provided for Registration and e-Submission Process accordingly. (for any query about e-bidding please visit user manual at <http://www.cspc.co.in>.)

Display & Inspection of Samples (Item which bidder quote price) **from 02:00 pm on Date 06-11-2020 up to Date 06-11-2020 till 05:00 pm** at CREDA Head office, Raipur (C.G).

Details of this tender are mentioned at Tender Documents which can be downloaded from our website www.creda.co.in. The tenderer should have to deposit tender document cost along with EMD as mentioned above through demand draft payable to CREDA Raipur while submitting tender.

Tenderers are requested to submit Pre-Bid queries/suggestions/objections/reservations if any with details so as to avoid any confusion and to ensure clarity and transparency regarding the tender.

CREDA reserves all rights to accept/reject any or all tenders in full/part without assigning any reasons.

**Chief Engineer
H.O. CREDA
Raipur (CG)**

CHECK LIST

To ensure that your tender submitted to CREDA is complete in all respects, please go through the following checklist & tick mark for the enclosures attached with your tender -

SN	Description	Complied	Page No. / Flag
1.	Earnest Money Deposit		
2.	Bid Document Fee (proof of submission)		
3.	The original document duly signed & with stamp on each page, as a confirmation of acceptance of Terms & Conditions (T&C).		
4.	Copy of Registration: Certificate as Vendor of CREDA for valid for FY 2020-21.		
5.	Copy of Approved Test Reports/Acknowledgement of submission of sample for testing in the name of Bidder/manufacturer as per eligibility criteria.		
6.	Original Net Worth Certificate and Turnover Certificate duly signed by Chartered Accountant.		
7.	Completion and Performance Certificates of Supply of by the Bidder in Govt Scheme of any state.		
8.	Proof of being Eligible Distributer of items in the name of manufacturer.		
9.	Declaration of conflict of interest – by bidder about any relatives working with CREDA.		
10.	Display for Samples		
11.	Forwarding Letter & Undertaking by the Bidder		
12.	PAN, GSTIN, Copy of ITRs for last three FY of the Bidder		
13.	Self-certificate from Bidder on not being a debarred from Government contract or a blacklisted company.		
14.	Undertaking for the remaining test reports (for which acknowledgements have been submitted) submission within 90 days from the date of agreement.		
15.	Details of Service centre in India and Chhattisgarh Raipur.		

Details of EMD and Tender fee attached

SN	Description
1.	<p>Earnest Money Deposit – Earnest Money Deposit of Rs., submitted in the form of Demand Draft / Banker's Cheque/RTGS/NEFT from any scheduled bank drawn on _____ Bank _____ Branch, bearing DD/BC No. _____ dated _____ is attached herewith.</p>
2.	<p>Bid Document Fee – Bid Document Fee of Rs....., submitted in the form of Demand Draft / Banker's Cheque/RTGS/NEFT from any scheduled bank drawn on _____ Bank _____ Branch, bearing DD/BC No. _____ dated _____ is attached herewith.</p>

(Sign & Seal of the Tenderer)



UNDERTAKING OF THE TENDERER

I/We have read carefully and examined the notice inviting tender, schedule, General Rules and terms and conditions of the contract, special conditions, Schedule of Rates and other documents and Rules referred to in the tender document for the supply.

I/We hereby tender my rates for the execution of the work for CREDA as specified within the time stipulated in the schedule in accordance with all aspects with the specifications, designs, drawings and instructions with such conditions so far as applicable.

I/We agree to keep the tender valid for **One Hundred Eighty (180) days** from the due date of submission thereof and not to make any modifications in its terms and conditions.

A sum of **Rs.** is hereby forwarded as **Earnest Money** in the form of crossed demand draft payable to CREDA at Raipur (C.G.). If I/We, fail to commence or complete the sanction ordered in specified time I/We agree that the CREDA shall, without prejudice to any other right or remedy, be at liberty to forfeit the said Earnest Money absolutely. The said Earnest Money shall be retained by CREDA towards security deposit to execute all the works referred to in the tender documents upon the terms and conditions contained or referred to therein and to carry out such deviations as may be required by CREDA.

I/We hereby declare that I/We shall treat the tender documents, specifications and other records connected with the work as secret/confidential and shall not communicate information derived there- from to any person other than a person to whom I/We have authorized to communicate the same or use the information in any manner prejudicial to the safety of CREDA/Government.

I/We shall abide to all the laws and shall be responsible for making payments of all the taxes, duties, levies and other Govt. dues etc. to the appropriate Govt. departments.

Our GST Registration No. The PAN No. under the Income Tax Act is

I/We shall be responsible for the payment of the respective taxes to the appropriate authorities and should I/we fail to do so, I/we hereby authorize CREDA to recover the taxes due from us and deposit the same with the appropriate authorities on their demand.

Dated:

Signature

Place:

Name of Tenderer with seal

Witness :

Signature:

Name:

Postal Address:

SECTION-01 INSTRUCTIONS FOR BIDDERS

1. ELIGIBILITY CRITERIA -

A. TEST REPORTS OF ITEM

- I. Bidder must have valid test reports of solar for all categories separately in the name of bidder/manufacture for which Bidder tends to make offer for supply. They will have to provide copy of such test report of their Items from any test centre approved by Ministry of New & Renewable Energy (MNRE)/NABL/CIPET. Bidder will be debarred from price bidding for all other categories for which they have not submitted valid test reports/acknowledgements.
- II. Bidders may submit Acknowledgement of submission of samples fee receipt from MNRE/NABL approved test centres for offered Items for testing (in case they don't have valid test certificates of offered Item at the time of bid). Bidders shall be required to submit the approved test certificates before raising claim for payment else payment shall not be made to them.
- III. Bidders shall have to submit the Test certificate against Acknowledgement within 90 days of execution of agreement otherwise EMD may be forfeited and bidder may be blacklisted/debarred by CREDA. However this time limit may be further extended/reduced by CREDA if required. Bidder has to submit an undertaking in this regard at the time of bid submission.
- IV. The bidder also shall have to submit a self declaration that the Item for which bidder is quoting offers are conforming to the latest guidelines and specification of MNRE issued for testing and BIS compliance.

B. Minimum Experience:

SN	Item Description	Essentials
Part-A		
1	DC Submersible pump Capacity 0.5 HP, 1 HP, 1.5 HP, 2 HP	1- Tenderers shall have minimum direct experience of Supply of 500 Nos. of AC/DC universal or DC pumps for drinking water under a Govt. Scheme of any state in last three years. 2- Tenderer shall provide valid test report of all types of submersible Pump, Controller, from MNRE/NISE/NABL approved test labs, for which tenderer tends to make offer for supply. 3- Tenderer shall have valid registration in CREDA, as vendor & MAF as per Section-01 point no. 1, B (iv).
2	DC Pump controller for Capacity 0.5 HP, 1 HP, 1.5 HP, 2 HP	
3	AC/DC universal Submersible Pump (0.5HP /01/ 02 HP and 600/900/1200/1800 watt) having approx. dia. 75 mm with inbuilt Controller	
4	Water level Controller for AC/DC universal submersible pump.	
5	Float Level/Switch sensor	
Part-B		
6	Various Maintenance item like- Water storage tank, stand post, HDPE pipe, wire rope etc. for Solar dual pump system	1. Tenderers shall have experience of supply of such Item to any Govt./Semi Govt. agency. Tenders shall have to provide OEM/MAF certificate, and the test reports of items for which they tends to make offer, from NABL/CIPET lab etc. 2. Tenderer shall have valid registration in CREDA, as vendor.

- i. Experience Certificates attached should be in attached format (as per annexure-“B”) only or other format containing similar information as in attached format (Annexure -B) shall be considered only in case of submitted in Hindi/English language only. Work order LOI/LOA will not be acceptable.
- ii. *Tenderers must have a Net worth of minimum **Rs.0.50 Crore (For part A) & Rs.0.10 Crore (For part B)** on **31st March 2019**. They shall have to submit a certificate duly signed by a qualified and registered Chartered Accountant as a proof.*
- iii. *Tenderers should have an aggregate turnover of minimum **05 crores (For Part-A) & 0.50 Crore (For Part-B)** in last consecutive three years i.e. 2016-17, 2017-18 & 2018-19/2019-20. Tenderer requested to submit required aggregate turnover certificate duly signed by a qualified and registered chartered Accountant.*
- iv. Only one Distributer will allowed from one state for which the tenderer offers rate of item, Tenderer should have written permission from Manufacture for participate in this tender.
- v. Tenderer who are debarred from business by Govt. /Govt. Agency in any state would not be eligible to participate in this bid. A self-declaration should be submitted by the bidder to this effect, failing which bid shall be rejected.
- vi. Tenderer must have a Service centre in Chhattisgarh State for servicing of pump or/and controller only, preferably at Raipur. The service centre can be randomly inspected by CREDA officers time to time.

2. E-PRICE BIDDING PROCESS -

For ease of accessing the e-bidding website and registration, the following is to be done by bidder -

- A. Visit <http://www.cspc.co.in>
- B. Click on e-bidding button on right hand side of the page.
- C. The user will be directed to e-bidding page where all information regarding registration is available along with helpline details.
- D. **Price Bid shall be submitted online only at <http://www.cspc.co.in> from Date 03.11.2020 on 11:00 am to Date 26.11.2020 up to 03:00 pm**, however technical bid will have to be submitted in hard copy. Bid Documents must reach at Chief Engineer (RE-III) Section, Near Energy Education Park VIP Road, Raipur. Tenders submitted after scheduled time and date shall not be considered.

3. EMD, TECHNICAL & FINANCIAL Bid -

The sealed tender Document Fee, EMD, Technical Bid, Eligibility, financial document etc. shall be submitted on the last date 26.11.2020 up to 03:00 PM at the Tender Submission Box Kept at CREDA Head Office, O&M Cell (RE-III), VIP Road, Near Energy Park, Raipur (C.G.), Any Tender Document received through any other means Like-Speed post, Courier etc. should be accepted if received within scheduled time.

4. SUBMISSION OF TENDER DOCUMENT -

Documents should be submitted in prescribed manner in separate envelops as follows-

- A. Main Envelope: Main Envelope must enclosed all A, B, C & D envelopes. Bidder Name, Address and status of firms should be clearly written on main envelope.
- B. Envelope-(A): Bid Fees and EMD.
- C. Envelope-(B): Financial Eligibility Documents: Net worth & Turnover certificate.
- D. Envelope-(C): Technical Eligibility Documents: Experience certificates, Test Reports & Summary of Test Reports and Manufacturer Authorization Form.
- E. Envelope-(D): Complete Bid document in original duly seal & signed by authorized signatory on each & every page of the Bid document.

Tender name, Number & Bidder Name must be clearly marked on the top of Envelope D. Bid Document which doesn't follow the above format shall be disqualified.

5. SPECIFICATION AMENDMENT -

The Specifications of Items should be as per prevailing MNRE/BIS or CREDA norms, as specified in the tender. If any amendments are issued by MNRE/CREDA in due course of time, in this context, then those shall be applicable under this tender.

6. GST & PAN -

Bidder shall have to submit copies of GST registration number and PAN numbers issued by the appropriate authority.

7. THE BID -

Tender Document must be deposited in the Bid box only kept in the Chief Engineer RE-III Section, CREDA, H.O., Raipur **from 11:00 AM 26-11-2020 to 03:00 PM dated 26-11-20** nobody is authorized to receive or grant receipt for Bid delivered on behalf of CREDA. Bid received through any other means shall not be considered.

8. ANALYSIS OF RATE-

Tenderer should quote their rates considering variation of site conditions, variation in price of different components and keeping the quantum and quality of supply in mind. If CREDA anticipates that rate is abnormally low or high, CREDA shall have liberty to amend the rates or reject the tender.

9. REGISTRATION OF BIDDER -

Bidder must have a valid registration certificate as Vendor in CREDA for FY 2020-21.

10. VALIDITY -

Full descriptive particulars and complete specifications should accompany the offer. Offers should be kept open for acceptance for at least **180 days** from the date of opening. After finalization of this tender, the approved rates shall be valid till one year from the date of award; however CREDA shall have liberty to increase or decrease this validity if needed.

11. THE TERMS, CONDITION AND SPECIFICATION -

- a. The terms, conditions and specifications mentioned in tender document shall be binding on the tenderers and no condition or stipulation contrary to the conditions shall be acceptable. It may please be noted that the tenderers who do not accept terms and conditions stipulated in this tender documents, their offers shall be liable to be rejected out-rightly without assigning any reason whatsoever.
- b. Each page of tender document & enclosures shall be signed by the tenderer and seal affixed. All the pages of the documents issued must be submitted along with the technical offer. In case of any corrections/alterations in the tender, the tenderer should attest the same; otherwise tenders may not be considered.
- c. Tenderers are also instructed to submit their tenders in properly arranged manner (with index, proper paging and with flags on important documents). Incomplete, lose, conditional or improper arranged tenders will not be accepted.

12. CREDA RESERVES THE RIGHT -

- (i) To reject or accept any or all Bids fully or partly without assigning any reason on the grounds considered advantageous to CREDA, whether it is the lowest Bid or not.
- (ii) To split the quantities against the Bid further for the same items/work. No reason will be assigned by CREDA for this and will be binding on the Bidders.
- (iii) To increase or decrease of aggregate quantities up to 100 % as per discretion or circumstances.
- (iv) Due to large quantum of supply & limitation of the time period for completion of the supply CREDA may take consent from other Bidders if they agree to work on rates standardized by CREDA.
- (v) CREDA may undergo agreement with those eligible Bidders who give consent to work on rates standardized by CREDA and may allocate work to them. Rates approved through this Bid may be standardized for all eligible Bids to work in **financial year 2020-21 and 2021-22** and shall be valid till **30-03-2022**. However CREDA reserves right to curtail or extend this period.

13. COMMUNICATIONS -

- A. All the communication between Bidder and CREDA shall be in writing. Notice sent by Fax or other Electronic means shall be effective on confirmation of the transmission. Notice sent by registered post or speed post shall be effective of delivery or at expiry of normal delivery period as under taken by Postal Service.
- B. Offers through Telegraph/Fax/Emails/Post/Courier or open offers etc. received shall be summarily rejected.

14. TENDER DOCUMENT FEE AND EARNEST MONEY -

- i. Each tenderer should submit Tender Document Fee and earnest money in the form of Demand Draft/Pay Order or RTGS/NEFT as mentioned in the **Tender No. 9100 CREDA/HOR/RE-III/O&M/ Spare SDP /2020-21 Date-26.10.2020** in a separate envelope

as prescribed at **point no. 4** of **page no. 8** else they will summarily be rejected and returned. Tender Document Fee, EMD submitted in any other form e.g. **Cash/Bank Guarantee/FDR/TDR etc. shall not be accepted.**

- ii. **MSME unit registered for manufacturing or service of Items or its components in Chhattisgarh state and public sectors of government are exempted from EMD subjected to submission of valid document.**

15. PRE-BID QUERIES -

- i. The purpose of allowing pre-bid queries will be clarifying issues and to answer questions in any matter that can be raised at that stage. Minutes of the meeting and the responses given will be uploaded for information of bidders. Any modification of the bidding document which may become necessary as a result of pre-bid queries shall be uploaded on CREDA's website and shall be integral part of original Bid document and communicated through corrigendum.

16. DISPLAY & INSPECTION OF SAMPLE-

Tenderer shall have to compulsory display a test sample of their product i.e. Pump, Controller & float switch sensor, rope wire etc. for which he wants to bid in tender from 02:00 pm on Date 06-11-2020 up to Date 06-11-2020 till 05:00 pm at CREDA Head office, Raipur (C.G).

17. TECHNICAL CRITERIA-

- 1) The eligible tenderer should have their own service unit cum office in Chhattisgarh state.
- 2) **Tenderer must have valid test report of all categories for submersible pumps i.e. AC/DC pump, DC pump, Controller, water tank and other major item etc. in the name of company for which tenderer must make offer for supply. They will have to provide copy of such test report of their Pumps, Controller, water tank etc. from Ministry of New & Renewable Energy (MNRE)/NISE/NARL/NABL/CIPET approved lab or IEC or BIS approved Labs.**
- 3) Bidders may submit Acknowledgement of submission of samples **fee receipt from MNRE/NABL approved test centres** for offered Items for testing (**in case they don't have approved test certificates of offered Item at the time of bid**). Bidders shall be required to submit the approved test certificates before raising claim for payment else payment shall not be made to them.
- 4) Bidders shall have to submit the Test certificate against Acknowledgement within 90 days of execution of agreement otherwise EMD may be forfeited and bidder may be blacklisted / debarred by CREDA. However this time limit may be further extended / reduced by CREDA if required. Bidder has to submit an undertaking in this regard at the time of bid submission.
- 5) The bidder also shall have to submit a self declaration that the Item for which bidder is quoting offers are conforming to the latest guidelines and specification of MNRE issued for testing and BIS compliance.

18. FORFEITURE OF EARNEST MONEY DEPOSIT -

It should be clearly understood that in the event of tenderer failing to enter into the agreement in the prescribed format on their quoted rates and also fails to execute assigned works under any Scheme of CREDA, within stipulations, if he is so communicated within the validity period of the offer, the full amount of earnest money will be forfeited and tenderer shall be debarred from future business with CREDA. CREDA's decision in this respect will be final and binding on the tenderer.

19. PRICE OF SUPPLY ITEMS -

- (I) The Price quoted for all Items with 5 years onsite warranty and should be firm and F.O.R. destination inclusive of transportation, loading/Unloading, packing, forwarding freight, transit insurance etc. as applicable.. The GST shall be indicated (paid) extra as per the GST regulation notification no.24/2018-central tax (Rate) dated 31.12.2018. The prices shall be filled exactly as per **e-Price Bid**.
- (II) Any change in GST shall be applicable during the period of contract.

20. ENGINEERING DOCUMENT -

Tenderers will have to submit Engineering Documents with technical details, drawings, Specifications of components and make etc. to CREDA for approval, as and when asked by CREDA. Supply may be start out only after approval of the Document.

21. INSPECTIONS :

CREDA reserves right to inspect the material at Godowns/Temporary Stores before dispatch and also at works sites.

22. TAX OBLIGATIONS:

CREDA shall deduct TDS for Income Tax, applicable cess on Civil Work etc. under various acts and deposited with the appropriate authority. Costs and taxes before execution of agreement with CREDA so as to ensure tax deposition as per Government Rules accordingly.

23. JURISDICTION OF THE COURT:

Any dispute arising out of the contract shall be subject to the jurisdiction of Hon'ble High Court of Chhattisgarh.

SECTION-02

GENERAL CONDITIONS OF CONTRACT

1. DEFINITIONS-

In writing General Conditions of Contract, the specifications and bill of quantity, the following words shall have the meanings hereby indicated, unless there is something in the subject matter or content inconsistent with the subject.

- a. CREDA shall mean the Chhattisgarh State Renewable Energy Development Agency represented through the Chief Engineer.
- b. Work shall mean any work entrusted to the tenderer as mentioned in the scope of work and sanction order.
- c. The "Engineer in charge" shall mean the Engineer or Engineers authorized by CREDA for the purpose of this contract. Inspecting Authority shall mean any Engineering person or personnel authorized by CREDA to supervise and inspect the erection of the Item/Items..
- d. "The Eligible Tenderer" shall mean the tenderer awarded with the contract or their successors and permitted assigns. Contract Price shall mean the sum named in or calculated in accordance with the provisions of the contract as the contract price. General Conditions shall mean the General conditions of Contract.
- e. "Specifications" shall mean the specifications annexed to these General Conditions of contract and shall include the schedules and drawings attached thereto or issued to the eligible tenderer from time to time, as well as all samples and pattern, if any,
- f. "Month" shall mean calendar month. "Writing" shall include any manuscript, typewritten, printed or other statement reproduced in any visible form whether under seal or written by hand.

2. PROOF OF MANUFACTURER -

Those tenderers who are also manufacturers of Items shown in tender shall have to submit proof of their factory, SSI Registration and list of Machineries and Equipment's.

3. CONTRACT DOCUMENT-

The term "Contract" shall mean and include the General conditions, specifications, schedules, drawings and sanction orders etc., issued against the contract schedule of price or their final general conditions, any special conditions applying to the particular contract specification and drawings and agreement to be entered into. Terms and conditions not herein defined shall have the same meaning as are assigned to them in the Indian contract Act or any other Act in vogue or by any person of common knowledge and prudence.

4. MANNER OF EXECUTION-

Execution of supply shall be carried out under Government Mode Scheme of CREDA in an approved manner as outlined in the technical specifications or where not outlined, in accordance with desired Specifications laid down by CREDA, to the reasonable satisfaction of the Engineer.

5. VARIATIONS, ADDITIONS & OMISSIONS-

CREDA shall have the right to alter, amend, omit, split or otherwise vary the quantum of supply, by notice in writing to the Bidder. The eligible Bidder shall carry out such variation in accordance with the rates specified in the contract so far as they may apply and where such rates are not available; those will be mutually agreed between CREDA and the eligible Bidder.

6. INSPECTION-

- a. The Engineer-in-Charge or his authorized representative(s) shall be entitled at all reasonable times to inspect and supervise and test during supply and commissioning. Such inspection will not relieve the eligible bidder from their obligations under this contract.
- b. Material can be inspected before dispatch or in transit by the authorized representatives of CREDA at the factory / godown at the cost of the eligible bidder, if desired by CREDA.
- c. CREDA will undertake real time performance and quality test of randomly selected Item/Items and its components during the course of execution as per the specifications and guidelines laid by CREDA to ensure quality and performance of Item and components.

7. **COMPLETION OF SUPPLY-**

Time being the essence of contract, the supply of the Item/Items shall be completed within the time schedule prescribed in the Work Order.

8. **ELIGIBLE TENDERERS DEFAULT LIABILITY-**

CREDA may by written notice of default to the eligible tenderer, terminate the contract in circumstances detailed hereunder:

- a. If in the opinion of the CREDA, the eligible tenderer fails to supply within the time specified in the supply order or within the period for which extension has been granted by CREDA to the eligible tenderer.
- b. If in the opinion of CREDA, the eligible tenderer fails to comply with any of the provisions of this contract.
- c. In the event of CREDA terminating the contract in whole or in part as provided in paragraph (a) above, CREDA reserves the right to engage another eligible tenderer or agency upon such terms and in such a manner as it may deem appropriate and the eligible tenderer shall be liable to CREDA for any additional costs or any losses caused to CREDA as may be required for supply of Item/Items (Shown in tender) and or for penalty as defined under this tender document until such reasonable time as may be required for the final completion of the work.
- d. In the event CREDA does not terminate the contract as provided in paragraph (a) the eligible tenderer shall continue performance of the contract, in which case he shall be liable to CREDA for penalty for delay as set out in this tender document until the supply is completed.

9. **FORCE MAJEURE-**

The eligible Tenderer shall not be liable for any penalty for delay or for failure to perform the contract for reasons of FORCE MAJEURE such as of God, acts of public, enemy, LWE problems, acts of government, cyclone, fires, floods, epidemics, quarantine restrictions, strikes, freight embargoes provided that if Tenderer shall submit delay notice with appropriate cause of delay to the CREDA in writing within **15 days** of force majeure. CREDA shall verify the facts and may grant such extension as facts justify. Delay in supply of any accessories of Item etc. by the related vendors, to whom the Tenderer has placed order, shall also not be treated as force majeure.

10. **REJECTION OF WORKS-**

In the event of any of the material supplied/work done by the eligible bidder is found defective in material or workman ship or otherwise not in conformity with the requirements of this contract specifications, CREDA shall either reject the material and/or work and advise the eligible bidder to rectify the same. **CREDA may impose penalty for such rejection up to the 200% cost of the entire system. Habitual/repeated offenders shall be black listed/debarred to participate in the any Bid/ Activity of CREDA till further orders.** The eligible bidder on receipt of such notices shall rectify or replace the defective material and rectify the work free of cost. If the eligible bidder fails to do so CREDA may -

- a) At its option replace or rectify such defective materials and/or work and recover the extra cost so involved from the eligible bidder plus **15%** service charges of the cost of such rectification, from the eligible bidder and/ or terminate the contract for balance work/ supplies with enforcement of penalty **as stated above.**
- b) Defective materials/workmanship will not be accepted under any conditions and shall be rejected outright without compensation. The eligible bidder shall be liable for any loss/damage sustained by CREDA due to defective work **with enforcement of penalty as stated above.**

11. **EXTENSION OF THE TIME-**

If the completion of installation is delayed due to any reason beyond the control of the eligible Tenderer, the eligible Tenderer shall without delay give notice to the CREDA in writing of his claim for an extension of time. CREDA on receipt of such notice may or may not agree to extend the contract/delivery date of the Item/Items as may be reasonable but without prejudice to other terms and conditions of the contract.

12. MAKES OF EQUIPMENTS TO BE USED IN THE SUPPLY-

- (I) The Item/Items (Shown in Tender) shall be made in India except in case of AC/DC Pump with inbuilt Controller subjected to the availability of service centre in INDIA.
- (II) The eligible bidder has to ensure that equipment's as per Technical Requirements of guidelines of CREDA as complied with. The material/works/Supply for which CREDA/MNRE or BSI or ISI specification is not available, engineer-in-charge of the works will examine and approve the material/works, preferably of all makes on which CREDA has report of satisfactory performance. Test certificates for Item/Items (Shown in Tender) should be submitted to the engineer-in-charge of the works before Supply/installation of the same.
- (III) Successful bidder upon issue of LOI must submit Manufacture Authorization Form (MAF) From manufacture of Item/Items (Shown in Tender) which it is intending to use during supply guarantee at least five year warrantee of Item/Items (Shown in Tender) before supply of Item/Items (Shown in Tender), **no payment shall be made if he fails to do so.**
- (IV) Eligible bidder Should submit warrantee Agreement of **at least 5 years** for Item/Items (Shown in Tender) with manufacturer or distributors certified by the manufacturer before supply of Item/Items (Shown in Tender) for any manufacturing defects or bad workmanship.

13. WARRANTEE PERIOD AND POST INSTALLATION SERVICES-

- a. The material supplied by the eligible tenderer should be warranted for satisfactory operation and against any defect in material and workmanship including Pumps, Controllers, all item and other balance of equipment's, at least for a period of **5 (five) years**, from the date of supply of Item/Items (Shown in Tender) as per scope of work.
- b. The above warrantee certificates shall be furnished to the CREDA for approval. Any defect noticed during this period should be rectified by the supplier free of cost upon written notice from CREDA provided such defects may be due bad materials used.
- c. The warrantee period shall be extended by the period during which the Item/Items (Shown in Tender) remains non-operative due to reasons within control of the eligible tenderers.
- d. This warrantee must be an unconditional and onsite warrantee and the eligible tenderer will have to replace the defective material within **7days** positively from the date of information given to him.
- e. Care should necessarily be taken to make the Item/Items (Shown in Tender) operational, once the reporting of the fault/non-operational status is done, within a week. If the Item/Items (Shown in Tender) is not made operational within **7 days** CREDA may rectify the same at the cost of tenderer and the warrantee period shall be extended for a month for the same.
- f. Tenderer shall have to establish their service stations and shall have to keep sufficient quantity of spares and man power to ensure proper service network for taking care of smooth functioning of Item/Items (Shown in Tender) supplied by them. Tenderer shall have to give a toll free number to register complaints.

14. TERMS OF PAYMENT-

The following terms of payment shall apply for the tender –

- a) **95%** of the order value as per the supply order after satisfactory supply of Pumps, controller, Float switch sensor and all item shown in Tender at site with proper handing over.
- b) GST will be paid at the time of payment after supply of the item as per norms.
- c) Balance **5%** of the order value (Excluding GST) shall be retained by CREDA as Security Deposit for a period of 60 months.

15. PENALTY FOR DELAY IN COMPLETION OF CONTRACT-

If the eligible tenderer fails to complete the assigned Supply within the schedule time specified in the supply order or any extension granted there to, CREDA will recover from the tenderer as penalty a sum of **One percent (01 %) of the supply order value (Excluding GST) for every delayed supply per Month**. For this purpose, the date of taking over shall be reckoned as the date of supply. The total penalty shall not exceed **05% (Five Percent)** of the cost.

Review of the progress of supply of Item/Items (Shown in Tender) allocated to bidders shall be done time to time by CREDA and if the progress of supply is found unsatisfactory, the allocation of entire remaining Item/Items (Shown in Tender) can be re-allocated to other bidder as per discretion of CREDA.

16. SECURITY DEPOSIT (SD):-

- i. The Earnest Money shall be retained by CREDA for the period of validity of Tender/RC.
- ii. Beside this, **5%** of the cost (without GST) shall also be retained as SD during the five years of warrantee period. No interest shall be payable on the Security Deposit.
- iii. Period for which EMD and SD are to be retained may be extended in case the warrantee period is extended due to non-performance of the Item.

17. INSURANCE-

- A. The eligible bidder shall arrange insurance coverage for the materials at his/ beneficiary's custody for the work/Supply under execution and successful commissioning and subsequent handover to the beneficiary. The eligible bidder shall take up insurance or such other measures for the manpower so as to cover the claim for damage/accident under workmen's compensation Act and other applicable State/Central laws. CREDA shall not bear any responsibility on this account.
- B. Eligible bidder shall arrange for insurance coverage for complete material supplied during warrantee period i.e. for **05 years** from the date of supply. Insurance should cover for damage and theft. In case of such incidence, bidder must replace the lost/damaged part within **7 days** from the date of intimation.

18. PENALTY DUE FROM THE ELIGIBLE TENDERER-

All costs of damages and delays for which the eligible tenderer is liable to the CREDA will be deducted from any money due to the eligible tenderer including the security deposit of any project under CREDA.

19. ELIGIBLE TENDERER'S RESPONSIBILITY-

Notwithstanding anything mentioned in the specifications of subsequent approval or acceptance of the Item/Items (Shown in Tender), if any, the ultimate responsibility for satisfactory performance of the entrusted supply shall rest with the eligible tenderer. If in any case the eligible tenderer does not complete the supply as per the supply orders issued to them then CREDA may take over the task & complete the project at the risk and cost of eligible tenderer.

20. RESPONSIBILITY TO RECTIFY THE LOSS AND DAMAGE-

If any loss or damage occurs to the material or any part thereof for incorporation therein the period for which the eligible tenderer is responsible for the cause thereof or from any cause whatsoever, the eligible tenderer shall at his own cost rectify/replace such loss or damage, so that the permanent work confirms in every respect with the provision of the contract to the satisfaction of the Engineer. The eligible tenderer shall also be liable for any loss or damage to the material/ equipment's occasioned by him in course of any operation carried out to him during performing the contract.

21. RESPONSIBILITY TOWARDS THE WORKMAN OR OUT SIDERS-

- i. **The eligible bidder shall have to take insurance coverage from any authorized Insurance Company against Workmen compensation due under Workmen Compensation Act and submit copy of the insurance document before issuance of Work/Supply Order.**
- ii. The eligible bidder shall ensure all safety measures during execution and repairs of the work. CREDA, will, in no case be responsible for any accident fatal or non-fatal, caused to any workman or outsider in course of transport or execution or repairs of work.
- iii. All the expenditure including treatment or compensation will be entirely borne by the eligible bidders. The eligible bidder shall also be responsible for any claims of the workers including, labour payments PF, Accidental Insurance, Gratuity, ESI & other legal obligations.
- iv. CREDA shall have all rights to deduct such claims of payments from bidder in case of complaints of such violations.

22. NON-ASSIGNMENTS-

The eligible tenderer shall not assign or transfer the supply orders issued as per this contract or any part thereof without the prior approval of CREDA. If eligible tenderer transfer/assigned/sublet full or nay part of supply to him without prior permission from CREDA in writing to any third party shall be liable to debar/blacklisted from any tender/activity of CREDA till further orders.

23. CERTIFICATES NOT TO AFFECT RIGHTS OF CREDA-

The issuance of any certificate by CREDA or any extension of time granted by CREDA shall not prejudice the rights of CREDA in terms of the contract nor shall they relieve the eligible tenderer of his obligations for due performance of the contract.

24. SETTLEMENT OF DISPUTES THROUGH ARBITRATION-

- i. Except as otherwise specifically provided in the contract, all disputes concerning questions of fact arising under the contract shall be decided by the Chief Executive Officer (CEO), CREDA provided a written appeal by the eligible tenderer is made to CREDA. The decision of the CEO, CREDA shall be final and binding to the all concerns.
- ii. Any dispute or difference including those considered as such by only of the parties arising out of or in connection with the contract shall be to the extent possible be settled amicably between the parties. If amicable settlement cannot be reached then all disputed issues shall be settled by arbitration.

25. LAWS GOVERNING CONTRACT-

The contract shall be constituted according to and subject to the Laws of India and jurisdiction of the High Court of Bilaspur, Chhattisgarh.

26. LANGUAGE AND MEASURES-

All documents pertaining to the Contract including specifications, schedules, notice correspondences, operating and maintenance instructions, drawings or any other writings shall be written in English/Hindi language. The metric system of measurement shall be used in this contract.

27. CORRESPONDENCE-

- i. Any notice to the eligible tenderer under the terms of the contract shall be served by registered mail to the registered office of the eligible tenderer or by hand to the authorized local representative of the eligible tenderer and copy by post to the eligible tenderer 's principal place of business.
- ii. Any notice to CREDA shall be served to the Chief Engineer, CREDA Raipur in the same manner.

28. SECRECY-

The eligible tenderer shall treat the details of the specifications and other documents as private and confidential and they shall not be reproduced without written authorization from CREDA.

29. AGREEMENT-

The successful eligible tenderer shall have to enter into an agreement with the CREDA in the approved contract agreement form within 07 days of the receipt of call from CREDA.

30. DECLARATION OF CONFLICT OF INTEREST –

The bidder hereby declares that nobody connected with or in the employment of CREDA is not/shall not ever be admitted as partner in the contract.

31. CONSORTIUM/JOINT VENTURE, START-UP & ENTREPRENEUR -

Consortium or Joint Venture & Start-up, new Entrepreneur are not allowed in this Tender.

32. TERMS & CONDITION -

- A. The terms, conditions and specifications mentioned in Bid document shall be binding on the Bidders and no condition or stipulation contrary to the conditions shall be acceptable. It may please be noted that the Bidders who do not accept terms and conditions stipulated in this Bid documents, their offers shall be liable to be rejected out-rightly without assigning any reason whatsoever.
- B. Each page of Bid document & enclosures shall be signed by the Bidder and seal affixed. All the pages of the documents issued must be submitted along with the technical offer. In case of any corrections / alterations in the Bid, the Bidder should attest the same; otherwise, Bids may not be considered.
- C. Bidders are also instructed to submit their Bids in properly arranged manner (with index, proper paging and with flags on important documents). Incomplete, lose, conditional or improper arranged Bids will not be accepted.

33. All policies, circular, Specification & guidelines issued by CREDA during the course of tender or Before/After tender shall be applicable & Tenderer shall have to follow.

34. Manufacturer or its only one distributor from one state shall be allowed to bid in the tender. In case of Manufacture & its dealer simultaneously bided in the aforesaid tender then the manufacture shall be given preference in steed its dealer.

35. BID EVALUATION CRITERIA -

- A. Offers of only those parties, who are found qualified based on Eligibility Criteria and Techno-commercial Bid, will be taken into further consideration and financial bid of only those parties who are qualifying the criteria of Techno-commercial Bid will be opened.
- B. Other things being equal, the lowest rates shall normally be preferred, but CREDA shall have rights and liberty to amend/lower the rates.
- C. **Conditional Bids shall not be accepted.**
- D. However CREDA shall have rights and liberty to call any /other parties to supply on approved rates as and when requires in accordance with quantum of work/supply and scheduled time limits for completion of targets.

36. EVALUTION OF PRICE BID -

Price bid shall be evaluated on the basis of Quoted rates. Lowest rates of each category of Item/Items (Shown in Tender) shall be considered however CREDA shall have discretionary power to amend/lower the rates.

37. ALLOCATION OF TARGETS AND AREA OF WORK/SUPPLY -

The supply shall preferably allotted to lowest bidder on L-1 rates subjected to rate reasonability however the CREDA has sole discretionary power to award work/supply to any other eligible bidder on L-1 rates if he agreed to supply on L-1 rates.

38. BID REJECTION -

If financial bid of a bidder has been opened on the basis of technical bid of a bidder which has been determined to be substantially responsive to the bidding document and in latter stage it is found that bidder does not meet the eligibility criteria or the technical bid is found substantially non-responsive, CREDA reserves rights to reject such bid of a bidder any time.

We (on behalf of Eligible Bidder) have read all the above stated details & accept to comply with it in total.

(Name, Signature & Seal of the Tenderer)

SECTION-03

SCOPE OF WORK & TECHNICAL SPECIFICATION

“Tender for Standardization of Rates for supply of “Supply of (i) DC Submersible Pumps of capacity 600, 900, 1200, 1800 Watt, (ii) DC Pump Controller, (iii) Solar AC/DC universal Submersible Pump (Capacity 0.5/1/2 HP and 600/900/1200/1800 watt) having approx. 75 mm dia. with inbuilt Controller, (iv) water level Controller for AC/DC universal Submersible pump & (v) Float switch sensor (VI) various maintenance items like- Water storage tank, stand post, HDPE pipe, wire rope etc. for maintenance of solar Dual pumping system work anywhere in the state of Chhattisgarh” As mentioned below:-

Part-A

SN	Item Description	Specification
1	Supply of DC submersible pump Capacity 0.5 HP, 1 HP, 1.5 HP, 2 HP (MNRE Approved & IEC Standard), having approx. 100 mm dia.	Stated as below
2	Supply of AC/DC universal Submersible Pump (0.5HP/1/2 HP and 600/900/1200/1800 watt) with inbuilt Controller, having dia. 75mm approx. (MNRE/IEC/BIS test reports). The Pump shall be compatible for 600/900/1200/1800 watt modules configuration.	
3	Supply of DC Pump controller for Capacity 0.5 HP, 1 HP, 1.5 HP, 2 HP (MNRE Approved & IEC Standard)	Controller should be of the approved make and it should be in accordance with the electrical parameters of the Motor/Pump. The controller/VFD shall be compatible with the respective capacities of pump.
4	Supply of Water Level Controller for AC/DC universal submersible pump. (MNRE Approved & IEC Standard)	
5	Supply of Float Level/Switch sensor	Suitable use in sump, overhead water tank and portable water application with Minimum detection range up to 10 ft.

1. Submersible Pump Specification

A. DC Submersible pump set of 600/900/1200/1800 HP for solar Dual pump system (IEC Standard) MNRE approved.		
S NO	DETAILS	REQUIRED SPECIFICATION
(i) 600 watt DC Submersible Pump set (0.5 HP)		
1	Minimum discharge at 30 mtr. head (LPD)	6000 LPD
2	Shut off head	45 Meters
3	Dynamic head	30 Meter
4	Outlet Size	1 ^{1/2} "
(ii) 900 watt DC Submersible Pump set (1 HP)		
1	Minimum discharge at 60 mtr. head (LPD)	10000 LPD
2	Shut off head	90 Meters
3	Dynamic head	60 Meter
4	Outlet Size	1 ^{1/2} "
(iii) 1200 watt DC Submersible Pump set (1.5 HP)		
1	Minimum discharge at 90 mtr. head (LPD)	15000 LPD
2	Shut off head	120 Meters
3	Dynamic head	90 Meter
4	Outlet Size	1 ^{1/2} "

(iv)	1800 watt DC Submersible Pump set (2 HP)	
1	Minimum discharge at 120 mtr. head (LPD)	20000 LPD
2	Shut off head	150 Meters
3	Dynamic head	120 Meter
4	Outlet Size	1½"
<u>DC Pump , Motor Details/Specification</u>		
Motor		
1	Motor Capacity [HP]	0.5/1/1.5/2 HP
2	Motor Winding	Copper
3	RPM	up to 2900
5	Insulation	IP 58/IP68
6	Pump size (OD)	96 mm (±)
7	Voltage range	45 VDC TO 200 VDC
8	Current Range	2 amp - 30 amp
9	Casing, Impeller, Shaft	Stainless Steel
10	Sealing	Mech Seal
11	Operating Temp[0C]	-10 °C to 55 °C
12	Inside the Control Box temperature range	Up to 70° C
13	Controller Efficiency[%]	96%
14	Protection	Output short/open circuit, Over Temperature, Over/Under Voltage, Thermal Overload, Dry Run, Reverse Polarity

B. Technical specification of AC/DC 75 mm dia. universal Submersible pump set 0.5/1/2 HP/600/900/1200/1800 Watt with inbuilt controller

SN	Particular	Specification
1.	Power Supply DC Range	30-300V DC
2.	Power Supply AC Range	90-240V AC (50/60Hz)
3.	Maximum power input	1400 W
4.	Optimum current Max.	10 A
5.	Inbuilt Controller with Protection:-	
a	Dry running protection	
b	Over & under-voltage protection	
c	Overload protection	
d	Over-temperature protection	
6.	Dynamic head	90 mtr.
7.	Shutoff head	120 mtr.
8.	Min Discharge/day	10000 Litre/Day
9.	Material, Standards	Stainless steel and higher durable material, IEC/CE
10	Pump motor both Diameter (ø)	up to 75 mm Maximum
11.	Enclosure class & Pump Efficiency	IP 68, > 50%

2. Controller Specification

S NO	DETAILS	REQUIRED SPECIFICATION			
2.1 Water Level AC/DC Pump Controller for AC/DC universal Submersible Pump 0.5/1/2 HP/600/900/1200/1800 Watt					
1	Operating Volt DC	0-300V DC			
2	Operating Volt AC	0-240V AC (50/60Hz)			
3	Suitable for Single phase submersible pump				
4	Having AC-DC-ON/Off rotary Switch Control				
5	Automatic power supply cut off when tank is full				
6	Enclosure class	IP 65			
2.2 Pump Controller for DC Submersible pump of Capacity 0.5/1/1.5/2 HP					
SN	Details	0.5Hp/600Wp	1Hp/900Wp	1.5Hp/1200Wp	2 Hp/1800Wp
1	Module watt	600 Wp	900 Wp	1200 Wp	1800 Wp
2	V mp	101 V	140 V	177 V	216 V
3	Current rating	8.2	8.2	8.2	8.2
4	Enclosure IP Protection	IP 63			
5	Operating Temp[OC]	-10 °C to 55 °C			
6	Inside the Control Box	Up to 70° C			
7	Degree of Protection	IP 45/63			
8	Minimum Ingress Protection	IP 45/63			
9	Frequency	0-110 Hz			
10	Protection	Output short/open circuit, Over Temperature, Over/Under Voltage, Thermal Overload, Dry Run, Reverse Polarity			
11	Remote Monitoring facility	Must be available in the controller			

3. Float Level Controller/ Liquid level sensor

Specification
<ol style="list-style-type: none"> 1. Suitable for AC/DC & DC Submersible Pump (0.5/1/2 HP/600/900/1200/1800 Watt) 2. Operating voltage 120 V to 250 V, current up to 15 Amp or 13.3 non continuous DC/AC Amperage & operating temperature up to 70°C. 3. Suitable use in sump, overhead water tank and portable water application with Minimum detection rang up to 10 ft. 4. Internally contains a stainless steel ball includes adjustable counter weight as the liquid level reaches upper or lower switching value, the controller contact will send out signals. 5. Constructed with non-toxic polypropylene, and having wires for connection, with IP 68 Enclosure. 6. Minimum float dimensions are 4.1L x 3B x 1.6H inch.

Other important requirement

The “Motor Pump Set” should following features:

- The DC pump set with the impeller mounted directly on the motor shaft and with appropriate mechanical seals, which ensures zero leakage.
- The delivery head will depend on the site-specific condition of the field.
- The pumps used for solar application should have a 5 years warranty so it is essential that the construction of the pump be made using parts, which have a much higher durability and do not need replacement or corrode for at least 5 years.
- The following details should be marked indelibly on the motor pump set
 - a) Name of the Manufacturer or Distinctive Logo.
 - b) Model Number.
 - c) Serial Number.
- **Marking:-** The separate marking as “Spare pump/controller/DO name/Year of manufacturing must be engraved in the housing of Item. Permanent Stickers shall only be permitted in case of controller only.

Part-B

SN	Particulars
A	B
1	Supply of GI Stand Posts (304 grades) (Square 150 mm x 150 mm of height 0.8 M above GL) for SPV Dual Pump with 04 nos. 20 mm stainless steel lift-cock type.
2	Supply of GI Stand Posts (304 grades) (Square 150 mm x 150 mm of height 0.8 M above GL) for SPV Dual Pump without self locking taps as per Specifications of CREDA.
3	Supply of ISI marked 2-layer HDPE water storage tank Capacity of 5000 Liters for SPV Dual Pump as per Specifications of MNRE/CREDA (for 5 years warrantee). (<u>Stated as below B-1</u>)
4	Supply of HDPE water storage “Tank Cover” for water tank capacity of 5000 Liters.
5	Supply of S.S. Wire rope size thick 08 Sq. mm with lock & plastic coated, all wire rope fittings, Slings etc.
6	Supply of S.S. Wire rope size thick 10 Sq. mm with lock & plastic coated, all wire rope fittings, Slings etc.
7	Supply of Hand Pump Washer (Leather Bucket) superior quality.
8	Supply of HDPE Roll Pipe 32 mm (O.D.) (ISI Mark) (8 Kg Pressure)
9	Supply of HDPE Roll Pipe 32 mm (O.D.) (ISI Mark) (10 Kg Pressure)
10	Supply of HDPE Roll Pipe 40 mm (O.D.) (ISI Mark) (8 Kg Pressure)
11	Supply of HDPE Roll Pipe 40 mm (O.D.) (ISI Mark) (10 Kg Pressure)
12	Supply of HDPE Roll Pipe 50 mm (O.D.) (ISI Mark) (6 Kg Pressure)
13	Supply of HDPE Roll Pipe 50 mm (O.D.) (ISI Mark) (8 Kg Pressure)
14	Supply of HDPE Roll Pipe 63 mm (O.D.) (ISI Mark) (6 Kg Pressure)
15	Supply of HDPE Roll Pipe 63 mm (O.D.) (ISI Mark) (8 Kg Pressure)
16	Supply of Cylinder Assembly:- Cylinder Assembly, Shall be Supplied complete with C.I. Cylinder body with brass liner reducer cap, upper valve assembly and lower valve assembly, size-3P as per IS 15500/2004 (part III) material and components as.
17	Supply of Cylinder Assembly:- Cylinder Assembly, Shall be Supplied complete with Brass Cylinder body with brass liner reducer cap, upper valve assembly and lower valve assembly, size-2P as per IS 15500/2004 (part III) material and components as.
18	Supply of ISI Marked Connecting Rod IS; 15500/2004 for hand pump per 3 mtr. Length
19	Supply of ISI Marked Connecting Rod Stain less steel for hand pump force lift kit per 3 mtr. length.
20	Supply of Chain with coupling, Chain Coupling machined steel grade A IS 2062/2006 with up to date amends for Hand Pump.
21	Supply of GI Special Water Chamber for solar Dual Pump system (as per drawing-A, B-2)
22	Supply of Cast Iron heavy-duty Open Type Pipe Vice assembly of 100 mm. (as per Drawing-B, B-3)

Important requirement

The “Motor Pump Set” should following features:

- The Items used for solar application should have a 5 years warranty so it is essential that the construction of the item to be made using parts, which have a much higher durability and do not need replacement or corrode for at least 5 years.
- The following details should be marked indelibly on the motor pump set
 - b) Name of the Manufacturer or Distinctive Logo or make.
 - b) Capacity
 - c) Serial Number (if require)
- **Marking:-** The separate marking as “Water Tank/Stand post/.....(Name of item)/DO name/Year of manufacturing must be engraved in the housing/Cover of Item. Permanent Stickers can be use.

This all items will be used for Solar Dual Pump System Maintenance, Installed by CREDA.

B-1.) Water tank Specification

IS 12701 : 1996

Indian Standard

ROTATIONAL MOULDED POLYETHYLENE WATER STORAGE TANKS — SPECIFICATION

(First Revision)

1 SCOPE

1.1 This standard covers the requirements of materials, dimensions construction, shape, workmanship, performance requirements and inspection and testing of rotational moulded polyethylene water storage tanks with a nominal service temperature from +1°C to +50°C

1.1.1 These tanks are not meant for underground applications.

1.2 This standard is applicable only to water storage tanks subjected to the following two conditions:

- a) Own hydrostatic head of water, and
- b) Tank with uniform flat base support.

1.3 This standard does not cover mobile water tanks and horizontal cylindrical water tanks.

2 REFERENCES

2.1 The Indian Standards listed in Annex A are necessary adjuncts to this standard.

3 TERMINOLOGY

3.0 For the purpose of this standard the following definitions shall apply.

3.1 Rotational Moulded Water Storage Tank

A tank moulded from polyethylene powder by the process of rotational moulding.

3.2 Net Capacity

Net capacity shall be net volume of water contained between the lowest level of the inlet and lowest specified level.

3.3 Gross Capacity

The total enclosed volume of the tank including any space which may not be capable of being filled with water.

3.4 Mould Parting Line

A circumferential line visible only on external surface of the tank corresponding to a parting joint of the mould required for rotational moulding (see Fig. 1).

3.5 Overall Height

The height of the finished empty tank at its highest point including the top rim of the man-hole and lid of the tank (see Fig. 1).

3.6 Effective Height

The height of the finished empty tank from its base to the point where overflow connection is provided for the purpose of limiting water storage capacity (see Fig. 1).

3.7 Overall Diameter

The maximum diameter of finished empty tank measured at its base as the mean of two measurements of diameters including wall thickness of the tank and avoiding the mould parting line (see Fig. 1).

3.8 Rim Height

The perpendicular distance from the highest point of the top rim of the man-hole to the nearest point of the shoulder of the finished empty tank (see Fig. 1). Rim can be provided above the tank or within the tank.

3.9 Man-Hole/Hand-Hole

A hole of suitable internal diameter provided at the top of the tank, for the purpose of inspection of internal surface and entry into the tank.

3.10 Internal Diameter of Man-Hole/Hand-Hole

The internal diameter of the rim of the man-hole measured as the mean of two perpendicular diameters (see Fig. 1).

4 MATERIALS

4.1 The material of construction of tank, lid and fittings which come in contact with water shall be such that it does not impart any taste, colour or odour to water, nor have any toxic effect, and it shall not contaminate water thereby making it unpotable.

4.2 Polyethylene resin to be used for the manufacture of water tanks should be of rotational moulded grade and duly stabilized with anti-oxidants. The anti-oxidants used, not exceeding 0.3% by mass of finished resin, should be physiologically harmless and should be selected from the list given in IS 10141 : 1982. In addition, the material shall also meet the requirements given in 4.2.1 to 4.2.4.

4.2.1 The density of resin (base material) at 23°C when tested in accordance with IS 7328 : 1992 shall be within 932 to 943 kg/m³.

IS 12701 : 1996

4.2.2 The melt flow rate (MFR) of the resin when tested under the test condition D (temperature 190°C and nominal load of 2.16 kg) and in accordance with IS 2530 : 1963 shall be within 2.0 to 6.0 g/10 minutes.

4.2.3 The water tanks meant for out door use shall be manufactured from carbon black compounded polyethylene. The carbon black content and carbon dispersion test shall be carried out in accordance with the procedure described in IS 2530 : 1963 and shall meet the following requirements:

a) The percentage of carbon black content in the material shall be within 2.0 and 3.0, and

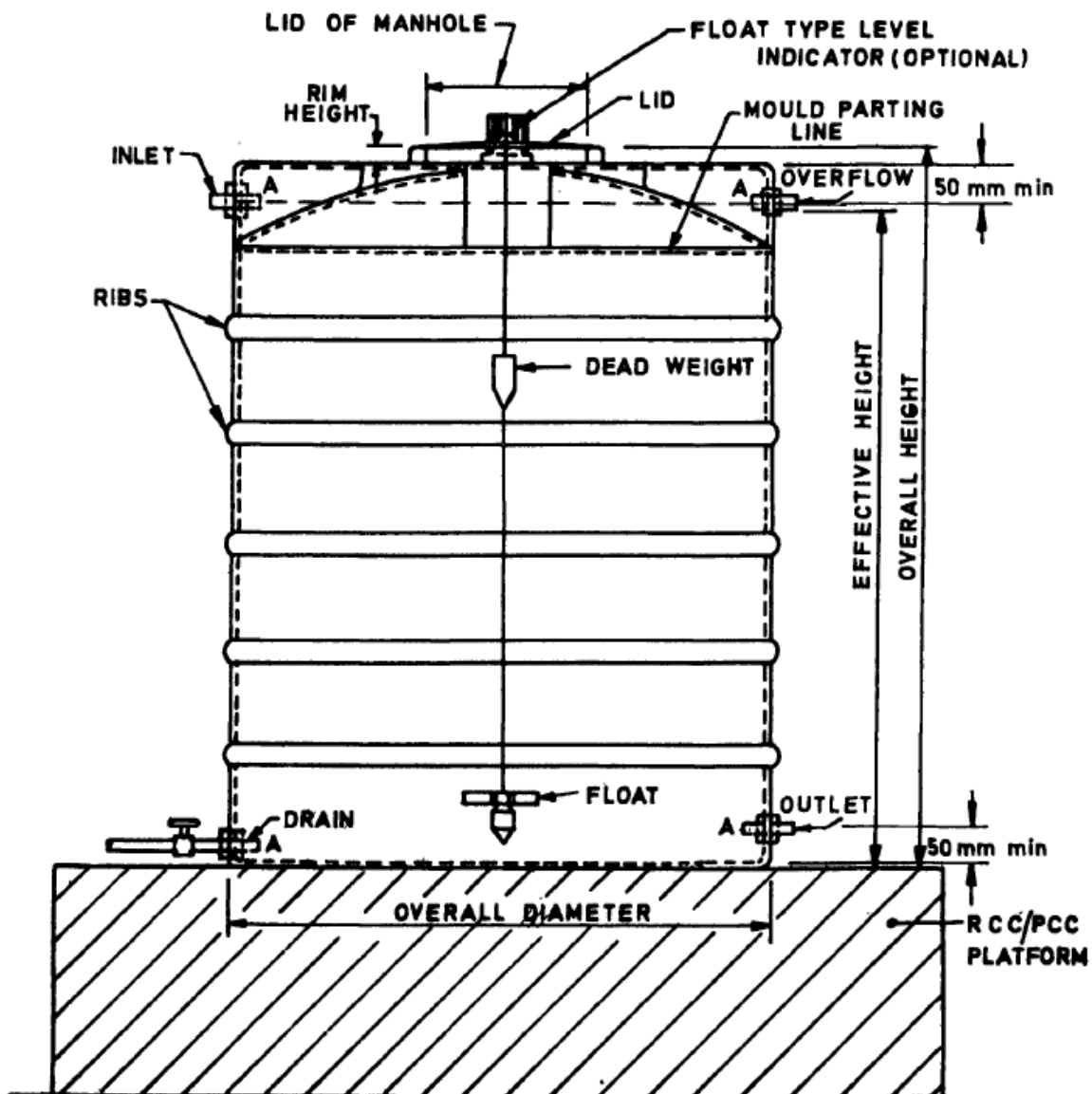
b) The dispersion of carbon black shall be satisfactory.

4.3 The addition of not more than 10 percent of the manufacturers own reworked material resulting from the manufacture of tanks only according to this standard is permissible. No other reworked or recycled waste material from any other source or filler shall be used in the manufacture of tanks.

5 TYPES AND FEATURES

5.1 Cylindrical Vertical Tank (Fig. 1)

The dimensions, net and gross capacities and weight of the tank shall be as given in Table 1.



NOTE — A 25 mm wide band shall be painted around the tank at the inlet/overflow level and outlet level. Centre line of the band shall be 50 mm minimum from top/inner bottom of the tank.

A — Male threaded G.I. brass or PVC connections.

FIG. 1 TYPICAL DETAILS OF CYLINDRICAL VERTICAL TANK

IS 12701 : 1996

Table 1 Dimensions of Cylindrical Vertical Tank
(Clause 5.1)

Sl No.	Minimum Net Capacity Up to Effective Height	Overall Dimeter Range	Overall Height Range	Minimum Internal Dia of Man-Hole/ Hand-Hole	Minimum Wall and Bottom Thickness	Minimum Weight of tank (Without Lid)
(1)	(2)	(3)	(4)	(5)	(6)	(7)
i)	200	650 - 850	490 - 690	265	3.0	7.8
ii)	300	650 - 850	700 - 900	265	3.0	9.0
iii)	400	700 - 980	700 - 950	265	3.5	15.0
iv)	500	800 - 1 140	625 - 1 025	370	4.0	18.0
v)	700	900 - 1 140	800 - 1 100	370	4.4	23.0
vi)	1 000	1 000 - 1 200	1 050 - 1 350	370	4.5	33.0
vii)	1 500	1 080 - 1 450	1 150 - 1 590	370	4.5	47.0
viii)	1 700	1 300 - 1 500	1 260 - 1 650	370	4.5	54.0
ix)	2 000	1 365 - 1 500	1 400 - 1 700	450	5.4	64.0
x)	2 500	1 380 - 1 610	1 400 - 1 810	450	7.7	81.0
xi)	3 000	1 410 - 1 800	1 640 - 2 150	450	8.1	96.0
xii)	4 000	1 450 - 1 920	1 750 - 2 400	450	10.4	147.0
xiii)	5 000	1 800 - 2 110	1 800 - 2 100	450	10.7	180.0
xiv)	6 000	1 800 - 2 200	2 065 - 2 800	450	10.7	205.0
xv)	7 500	1 890 - 2 250	2 100 - 2 930	450	10.7	239.0
xvi)	10 000	1 900 - 2 680	2 400 - 3 740	450	11.5	319.0
xvii)	15 000	2 100 - 2 680	3 100 - 4 000	450	11.5	408.0
xviii)	20 000	2 100 - 3 150	3 190 - 5 000	450	13.2	566.0

NOTE — The gross capacity of the tanks shall be at least 5 percent in excess of the minimum net capacity.

5.2 Rectangular Loft Tank (Fig. 2)

The dimensions, net and gross capacities and weight of the tank shall be as given in Table 2.

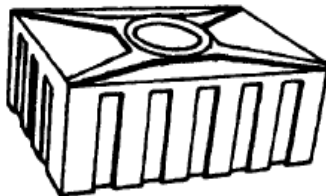


FIG. 2 RECTANGULAR LOFT TANK

5.3 A flat area may be provided on the top of the cylindrical vertical tanks for workers to stand before entering the tank.

5.4 Wall Thickness

Owing to limitations of rotational moulding process, the wall thickness of the water storage tank at bottom, top and cylindrical sides at the bottom and top edges where the shape of tank changes is usually found to be much greater than the wall thickness at other surfaces. For cylindrical vertical tanks the wall thickness upto the effective height of the tank shall not be less than the values given in Table 1 and the wall thickness above the effective height of the tank shall be not less than 75 per cent of the values given

Table 2 Dimensions of Rectangular Loft Tanks
(Clause 5.2)

Sl No.	Minimum Net Capacity	Overall Length	Overall Width	Overall Height	Minimum Internal Dia of Hand Hole	Minimum Wall Thickness (Measured on Rectangular Vertical Port and Bottom Thickness)	Minimum Weight of Tank (Without Lid)
(1)	(2)	(3)	(4)	(5)	(6)	(7)	(8)
i)	150	620 - 820	620 - 820	285 - 485	300	2.75	6.6
ii)	200	930 - 1 130	620 - 820	285 - 485	300	2.75	7.7
iii)	300	995 - 1 200	620 - 820	285 - 485	300	2.75	11.0
iv)	400	1 150 - 1 350	855 - 1 150	335 - 535	300	2.75	13.0
v)	500	1 150 - 1 500	900 - 1 250	335 - 535	300	2.75	17.5

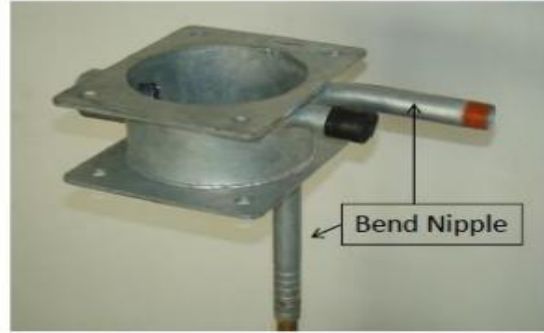
NOTE — The gross capacity of the tanks shall be at least 5 percent in excess of the minimum net capacity.

B-2.) Drawing-A:- Special Water Chamber

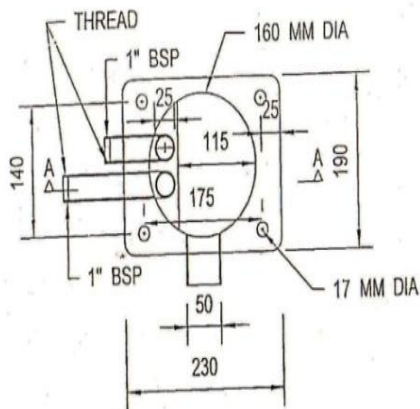
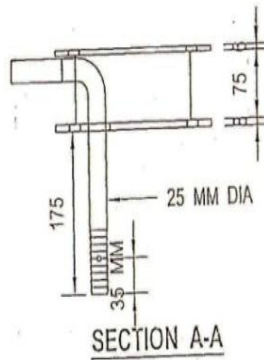
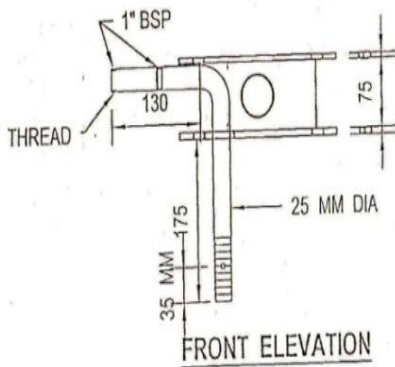
Special Water Chamber



Inlet for rooftop rainwater harvesting



Bend Nipple



DIRECTOR OF GROUNDWATER SURVEYS AND DEVELOPMENT
AGENCY PUNE
SCHEMATIC DRAWING
OF
SPECIAL WATER CHAMBER FOR DUAL PUMP SYSTEM.

NOTE

- 1) ALL DIMENSIONS ARE IN MM.
- 2) DRAWING NOT TO SCALE.

TOP VIEW

Swarnakar
Prepared by
Dy. Engr.

Swarnakar
Checked by
Sr. Drilling Engr.

Swarnakar
Approved by
Chief Drilling Engr.

B-3.) Drawing-B:- Pipe Vice assembly

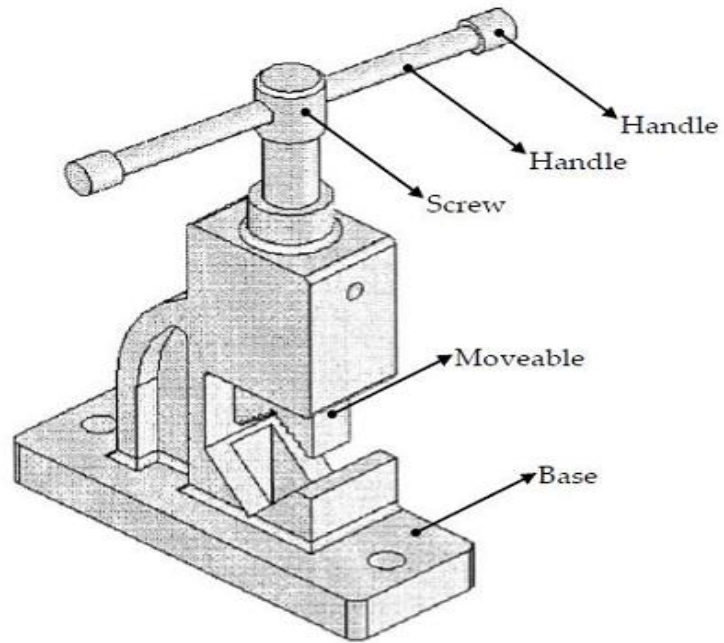


Figure 1: Pipe Vice Assembly

Part List

Part No.	Part Name	No. Off	Material
1	Base	1	Gray cast Iron
2	Screw	1	Alloy Steel
3	Moveable Jaw	1	Alloy Steel
4	Handle	1	Alloy Steel
5	Handle Screw	1	Alloy Steel

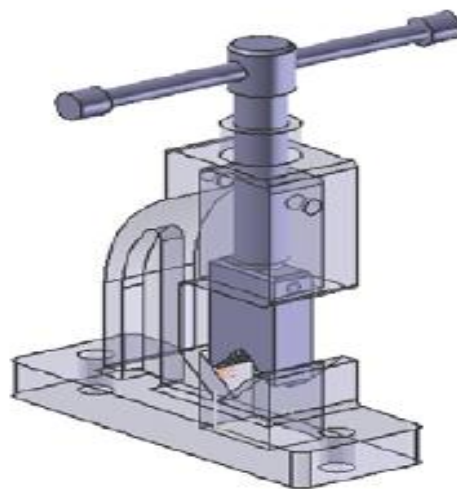


Figure 1 The Pipe Vice assembly

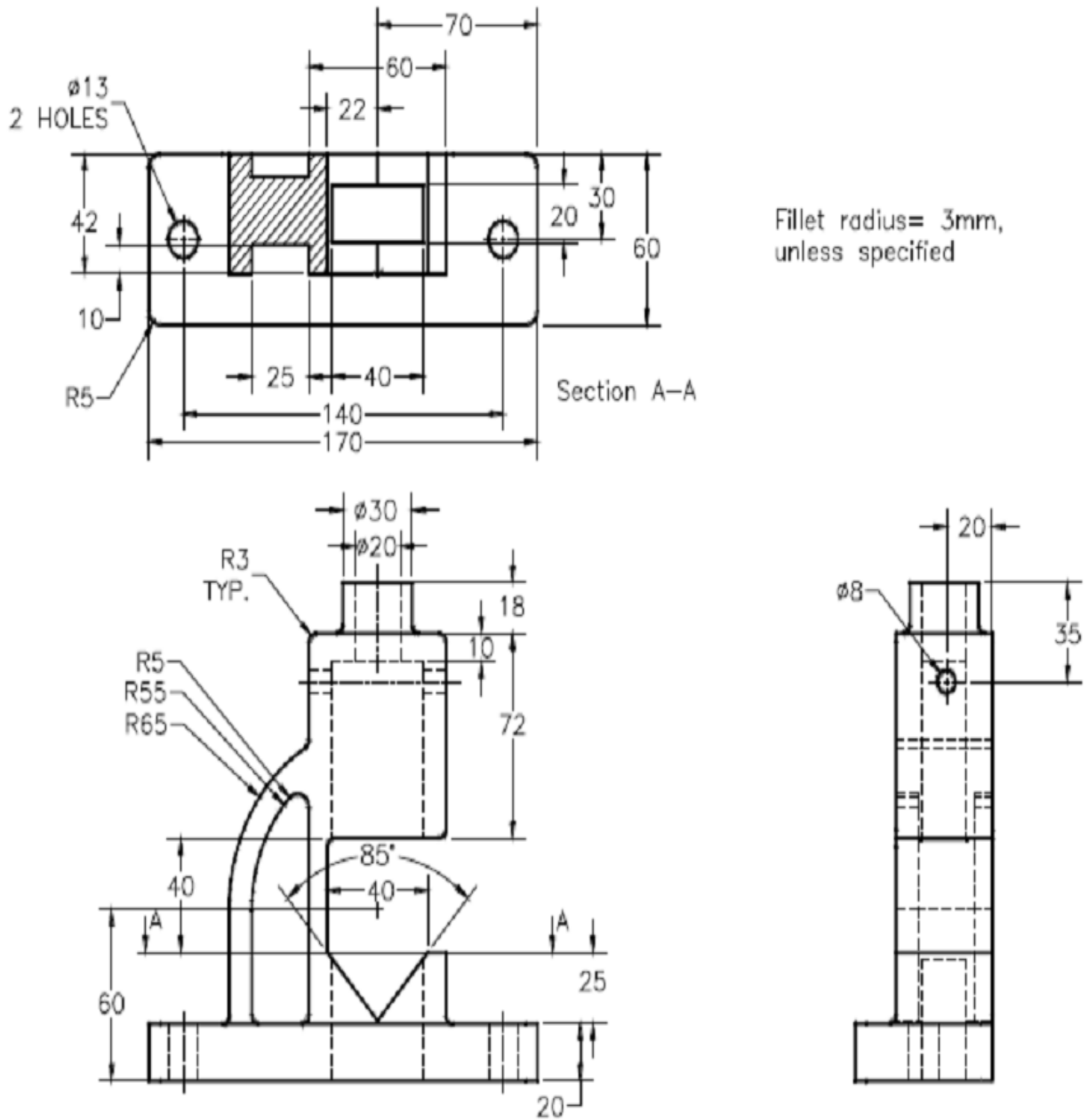


Figure 2 Views and dimensions of the Base

SECTION-04**e-Price Bid**

(e-bidding as per Specifications & Scope of work, Ref. No. 9100/CREDA/HOR/RE-III/O&M/SPARE SDP/2020-21
DT 26.10.20)

Supply of (i) DC Submersible Pumps of capacity 600, 900, 1200, 1800 Watt, (ii) DC Pump Controller, (iii) Solar AC/DC universal Submersible Pump (Capacity 0.5/1/2 HP and 600/900/1200/1800 watt) with inbuilt Controller, (iv) water level Controller for AC/DC universal Submersible pump & (v) float switch sensor for maintenance of solar Dual pumping system work anywhere in the state of Chhattisgarh.”

“Part-A”

SN	Particulars	Unit	Unit Price in Rs. (Excluding GST)	GST in %
1	Supply of PUMPS for Maintenance of Solar Dual Pumping System			
1.1	AC/DC universal Submersible pump set (75 mm dia. aprox.) 0.5/1/2 HP and 600/900/1200/1800 Watt with inbuilt controller	01 no.		
1.2	0.5 HP DC Submersible Pump set	01 no.		
1.3	01 HP DC Submersible Pump set	01 no.		
1.4	1.5 HP DC Submersible Pump set	01 no.		
1.5	02 HP DC Submersible Pump set	01 no.		
2	Supply of CONTROLLERS for Maintenance of Solar Dual Pumping System			
2.1	Water Level AC/DC Pump Controller for AC/DC universal Submersible Pump 0.5/1/2 HP and 600/900/1200/ 1800 Watt	01 no.		
2.2	Pump Controller for DC Submersible pump for Capacity 0.5 HP	01 no.		
2.3	Pump Controller for DC Submersible pump for Capacity 1 HP	01 no.		
2.4	Pump Controller for DC Submersible pump for Capacity 1.5 HP	01 no.		
2.5	Pump Controller for DC Submersible pump for Capacity 2 HP	01 no.		
3	Supply of float switch sensor for Maintenance of Solar Dual Pumping System			
3.1	float switch sensor/ Float level controller	01 no.		

- It is compulsory for the bidder to quote the rates of pump as well as for the controller compatible with the pump for which he wants to bid.
- These Rates are inclusive of Insurance, Freight, Loading, unloading, transportation to the ordered site but excluding GST. GST shall be paid by CREDA in addition and in full on the produced bill at the rate applicable on the date of billing.

Date:-

NAME of FIRM :-

NAME IN FULL:-

DESIGNATION :-

Mob. no. :-

E-mail id :-

SIGNATURE OF TENDERER

COMPANY/FIRM SEAL

e-Price Bid “Part-B”

SN	Particulars	Unit	Unit Price in Rs. (Excluding GST)	GST in %
1	Supply of GI Stand Posts (304 grades) (Square 150 mm x 150 mm of height 0.8 M above GL) for SPV Dual Pump with 04 nos. 20 mm stainless steel lift-cock type as per Specifications of MNRE/CREDA.	per set		
2	Supply of GI Stand Posts (304 grades) (Square 150 mm x 150 mm of height 0.8 M above GL) for SPV Dual Pump without self-locking taps as per Specifications of MNRE/CREDA.	per piece		
3	Supply of ISI marked 2 layer HDPE water storage tank Capacity of 5000 Liters for SPV Dual Pump as per Specifications of MNRE/CREDA (for 5 years warrantee).	per piece		
4	Supply of HDPE water storage “Tank Cover” for water tank capacity of 5000 Liters.	per piece		
5	Supply of S.S. Wire rope size thick 08 Sq. mm with lock & plastic coated, all wire rope fittings, Slings etc.	per Mtr.		
6	Supply of S.S. Wire rope size thick 10 Sq. mm with lock & plastic coated, all wire rope fittings, Slings etc.	per Mtr.		
7	Supply of Hand Pump Washer (Leather Bucket) superior quality.	per piece		
8	Supply of HDPE Roll Pipe 32 mm (O.D.) (ISI Mark) (8 Kg Pressure)	per Mtr.		
9	Supply of HDPE Roll Pipe 32 mm (O.D.) (ISI Mark) (10 Kg Pressure)	per Mtr.		
10	Supply of HDPE Roll Pipe 40 mm (O.D.) (ISI Mark) (8 Kg Pressure)	per Mtr.		
11	Supply of HDPE Roll Pipe 40 mm (O.D.) (ISI Mark) (10 Kg Pressure)	per Mtr.		
12	Supply of HDPE Roll Pipe 50 mm (O.D.) (ISI Mark) (6 Kg Pressure)	per Mtr.		
13	Supply of HDPE Roll Pipe 50 mm (O.D.) (ISI Mark) (8 Kg Pressure)	per Mtr.		
14	Supply of HDPE Roll Pipe 63 mm (O.D.) (ISI Mark) (6 Kg Pressure)	per Mtr.		
15	Supply of HDPE Roll Pipe 63 mm (O.D.) (ISI Mark) (8 Kg Pressure)	per Mtr.		
16	Supply of Cylinder Assembly:- Cylinder Assembly, Shall be Supplied complete with C.I. Cylinder body with brass liner reducer cap, upper valve assembly and lower valve assembly, size-3P as per IS 15500/2004 (part III) material and components as.	per set		

SIGNATURE OF TENDERER COMPANY/FIRM SEAL

SN	Particulars	Unit	Unit Price in Rs. (Excluding GST)	GST in %
17	Supply of Cylinder Assembly:- Cylinder Assembly, Shall be Supplied complete with Brass Cylinder body with brass liner reducer cap, upper valve assembly and lower valve assembly, size-2P as per IS 15500/2004 (part III) material and components as.	per set		
18	Supply of ISI Marked MS Connecting Rod IS; 15500/2004 for hand pump per 3 mtr. Length.	per piece		
19	Supply of ISI Marked Connecting Rod Stain less steel for hand pump force lift kit per 3 mtr. length.	per piece		
20	Supply of Chain with coupling, Chain Coupling machined steel grade A IS 2062/2006 with up to date amends for Hand Pump.	per piece		
21	Supply of GI Special Water Chamber for solar Dual Pump system as per drawing-A.	per piece		
22	Supply of Cast Iron heavy-duty Open Type Pipe Vice assembly of 100 mm.	per piece		

Note:- These Rates are inclusive of Insurance, Freight, Loading, unloading, transportation to the ordered site but excluding GST. GST shall be paid by CREDA in addition and in full on the produced bill at the rate applicable on the date of billing.

SIGNATURE OF TENDERER

COMPANY/FIRM SEAL

Date:-

NAME of FIRM :-

NAME IN FULL:-

DESIGNATION:-

Mob. no. :-

E-mail id :-

DRAFT AGREEMENT

CONTRACT AGREEMENT BETWEEN Chief Engineer Chhattisgarh State Renewable Energy Development Agency (CREDA) Raipur AND M/s.....
Represented by THIS CONTRACT AGREEMENT against Bid No.9100/CREDA/HOR/RE-III/O&M/ Spare SDP /2020-21 Dated: 26/10/2020 (also referred to as "Service Contract") is made on theth day of _____ 2020.

BETWEEN

(1) Chief Engineer Chhattisgarh State Renewable Energy Development Agency (CREDA) Raipur a society incorporated under the laws Society Registration Act 1973 , (1973 , Sr. No. 44) (with amendment from time to time) and having its Registered Office at VIP Road Near Energy Education Park, Village- Fundhar, Raipur and (hereinafter called "The Employer" and also referred to as "CREDA")

And

(2) Represented bya company incorporated under the laws of Companies Act 1956/2013/ Partnership firm/ Proprietorship firm/Consortium (as applicable, with amendment from time to time) and having its Principal place of business at and Registered Office at.....hereinafter called "The Contractor" and also referred to as "....."

Whereas the contractor has offered to enter into contract with the said CREDA for the "Standardization of Rates for Supply of Pump, Controller, Float switch sensor, water tank, HDPE pipe and various types of Item/Items (Which ever applicable) anywhere in the state of Chhattisgarh".

Wide Bid No. 9100/CREDA/HOR/RE-III/O&M/ Spare SDP /2020-21 Dated: 26.10.2020 on the terms and conditions herein contained and the rates approved by the CREDA (Letter No. Dated annexed here to) have been duly accepted and where as the necessary security deposit shall be furnished in accordance with the provisions of the Bid document and whereas no interest will be claimed on the security deposits.

Now these presents witness and it is hereby agreed and declared by and between parties to these presents as follows -

- 1) The Contractor shall, during the period of this contract, that is to say from to or completion thereof, until this Contract shall be determined by such notice as is hereinafter mentioned, safely carryout, by means of labours employed at his own expenses and by means of tools, implements and equipment etc. to be supplied by him to his labour at his own expenses, for supply of **"Pump, Controller, Float switch sensor, water tank, HDPE pipe and various types of Item/Items (Which ever applicable)"** as described in Bid documents. (annexed to the agreement).
- 2) The NIT (Notice Inviting Bid), Corrigendum to NIT, Notices, Bid documents (Qualifying, Technical and Financial), approved rates annexed hereto and such other additional particulars, undertaking, instructions, general conditions of contract, Scope of work, Technical specifications of Item/Items and Annexure therein, engineering documents, detailed specifications of BOS , so far they relate to the **Bid No.9100/CREDA/HOR/RE-III/O&M/ Spare SDP /2020-21 Dated: 26/10/2020** as may be found requisite to be given during execution of the work/Supply shall be deemed and taken to be an integral part of the contract and shall also be deemed to be included in the expression "The Agreement or "The Contract "wherever herein used.
- 3) The contractor shall also supply the requisite number of workmen with means & materials as well as tools, appliances, machines, implements, vehicles for transportation, cartage etc. required for the proper execution of Work/Supply within the time prescribed in the work orders and /or as per the Bid conditions.
- 4) The Engineer in Charge or his authorized representative (s) shall be entitled at all reasonable times to inspect and supervise and test during commissioning. Such inspection will not relieve the eligible bidder from their obligations under this contract.
- 5) Material can be inspected before dispatch or in transit by the authorized representatives of CREDA

at the factory at the cost of the eligible bidder, if desired by CREDA. CREDA reserves right to inspect the material at Godowns / Temporary Stores before dispatch and also at works sites.

- 6) CREDA shall deduct TDS for Income Tax, under various acts and deposited with the appropriate authority. Costs and taxes before execution of agreement with CREDA so as to ensure tax deposition as per Government Rules accordingly.

7) **ELIGIBLE SYSTEM INTEGRATOR'S DEFAULT LIABILITY -**

CREDA may by written notice of default to the eligible bidder, terminate the contract in circumstances detailed hereunder -

- (a) If in the opinion of the CREDA, the eligible bidder fails to complete the supply within the time specified in the supply Order or within the period for which extension has been granted by CREDA to the eligible bidder.
- (b) If in the opinion of CREDA, the eligible bidder fails to comply with any of the provisions of this contract.
- (c) In the event of CREDA terminating the contract in whole or in part as provided in paragraph (a) above, CREDA reserves the right to engage another eligible bidder or agency upon such terms and in such a manner as it may deem appropriate and the eligible bidder shall be liable to CREDA for any additional costs or any losses caused to CREDA as may be required for the supply of Item/Items (Shown in Tender) and or for penalty as defined under this Bid document until such reasonable time as may be required for the final completion of the work/supply.
- (d) In the event CREDA does not terminate the contract as provided in paragraph (a) the eligible bidder shall continue performance of the contract, in which case he shall be liable to CREDA for penalty for delay as set out in this Bid document until the work/supply is completed.

8) **FORCE MAJEURE -**

The eligible bidder shall not be liable for any penalty for delay or for failure to perform the contract for reasons of FORCE MAJEURE such as of God, acts of public, enemy, LWE problems, acts of government, cyclone, fires, floods, epidemics, quarantine restrictions, strikes, freight embargoes provided that if SI shall submit delay notice with appropriate cause of delay to the CREDA in writing within **15 days** of force majeure. CREDA shall verify the facts and may grant such extension as facts justify. Delay in supply of any accessories of Item/Items (Shown in Tender) etc. by the related vendors, to whom the Bidder has placed order, shall also not be treated as force majeure.

9) **REJECTION OF WORKS -**

In the event of any of the material supplied/work done by the eligible bidder is found defective in material or workman ship or otherwise not in conformity with the requirements of this contract specifications, CREDA shall either reject the material and/or work and advise the eligible bidder to rectify the same. CREDA may impose penalty for such rejection up to the 200% cost of the entire system. Habitual/repeated offenders shall be black listed/debarred to participate in the any Bid/ Activity of CREDA till further orders. The eligible bidder on receipt of such notices shall rectify or replace the defective material and rectify the work free of cost. If the eligible bidder fails to do so CREDA may -

- a) At its option replace or rectify such defective materials and/or work and recover the extra cost so involved from the eligible bidder plus **15%** service charges of the cost of such rectification, from the eligible bidder and/ or terminate the contract for balance work/ supplies with enforcement of penalty as stated above.
- b) Defective materials/workmanship will not be accepted under any conditions and shall be rejected outright without compensation. The eligible bidder shall be liable for any loss/damage sustained by CREDA due to defective work **with enforcement of penalty as stated above.**

10) **EXTENSION OF THE TIME -**

If the completion of installation is delayed due to any reason beyond the control of the eligible bidder, the eligible bidders shall without delay give notice to the CREDA in writing of his claim for an extension of time. CREDA on receipt of such notice may or may not agree to extend the contract/delivery date of the Item/Items (Shown in Tender) as may be reasonable but without prejudice to other terms and conditions of the contract.

11) PENALTY FOR DELAY IN COMPLETION OF CONTRACT -

If the eligible bidder fails to complete the assigned work within the schedule time specified in the Work Order or any extension granted there to, CREDA will recover from the SI as penalty a sum of **One per cent (1%)** of the system price for every delayed supply per month. For this purpose, the date of taking over shall be reckoned as the date of completion. The total penalty shall not exceed **5% (Five Per cent)** of the cost.

Review of the progress of supply of Item/Items (Shown in Tender) allocated to bidders shall be done time to time by CREDA and if the progress of supply is found unsatisfactory, the allocation of entire remaining supply or their part of can be re-allocated to other bidder as per discretion of CREDA.

12) PENALTY DUE FROM THE ELIGIBLE BIDDER-

All costs of damages and delays for which the eligible bidders are liable to the CREDA will be deducted from any money due to the eligible bidder including the security deposit of any project under CREDA.

13) ELIGIBLE SI'S RESPONSIBILITY -

Notwithstanding anything mentioned in the specifications of subsequent approval or acceptance of the Item/Items (Shown in Tender) by CREDA, if any, the ultimate responsibility for satisfactory performance of the entrusted work shall rest with the eligible bidder. If in any case the eligible bidder does not complete the work as per the Work/Supply Orders issued to them then CREDA may take over the task & complete the project at the risk and cost of eligible bidder.

14) RESPONSIBILITY TO RECTIFY THE LOSS AND DAMAGE -

If any loss or damage occurs to the work/supply or any part thereof or materials/equipment's for incorporation therein the period for which the eligible bidder is responsible for the cause thereof or from any cause whatsoever, the eligible bidder shall at his own cost rectify/replace such loss or damage, so that the permanent work confirms in every respect with the provision of the contract to the satisfaction of the Engineer. The eligible bidder shall also be liable for any loss or damage to the work/equipment's occasioned by him in course of any operation carried out to him during performing the contract.

15) RESPONSIBILITY TOWARDS THE WORKMAN OR OUT SIDERS -

- The eligible bidder shall have to take insurance coverage from any authorized Insurance Company against Workmen compensation due under Workmen Compensation Act and submit copy of the insurance document before issuance of Work/Supply Order.
- The eligible bidder shall ensure all safety measures during execution and repairs of the work. CREDA, will, in no case be responsible for any accident fatal or non-fatal, caused to any workman or outsider in course of transport or execution or repairs of work.
- All the expenditure including treatment or compensation will be entirely borne by the eligible bidders. The eligible bidder shall also be responsible for any claims of the workers including PF, Gratuity, ESI & other legal obligations.
- Bidder shall have to submit JCCs within **60 days** after supply of Item/Items (Shown in Tender) in District Office of CREDA.

16) Contractor shall provide 05 years warranty in supplied solar Item/Items (Shown in Tender) from the date of supply as per the terms & conditions prescribed in the Bid No.9100/CREDA/HOR/RE-III/O&M/ Spare SDP /2020-21 Dated : 26.10.2020.

17) DECLARATION OF CONFLICT OF INTEREST - The bidder hereby declares that nobody connected with or in the employment of **CREDA** will not/shall not ever be admitted as partner in the contract.

(a) The contractor shall arrange insurance coverage for the materials and Item/Items (Shown in Tender) at his/ for the supply under execution and successful commissioning and subsequent handover to the CREDA. The contractor shall take up insurance or such other measures for the manpower so as to cover the claim for damage arising under workmen's compensation Act and other applicable State/ Central laws. CREDA shall not bear any responsibility on this account.

(b) Bidder shall arrange for insurance coverage for Item/Items (Shown in Tender) during COMC period i.e. for 05 years from the date of supply. Insurance should cover for damage and theft. In case of such incidence, bidder must replace the lost/damaged part within 7 days.

- 19) The bidder shall abide by the terms and conditions, rules, guidelines, construction practices, safety precautions etc. stipulated in the Bid document including any correspondence between the bidder and the **CREDA** having bearing on execution of supply and payments of supply to be done under the contract.
- 20) The Bidder shall be responsible to follow all the laws including Workmen Compensation Act and all other laws in force & shall be responsible for all the obligations towards labour including EPF, ESI, etc.
- 21) All the taxes deductible at source as per Acts in vogue shall be recovered by **CREDA** and deposited with the appropriate authorities
- 22) Contractor agrees to abide by any decision/instruction passed by the appropriate authority under Anti-profiteering rules notified by the state/central government under GST act.
- 23) Any dispute arising out of the contract shall be subject to the jurisdiction of Hon'ble High Court of Chhattisgarh.

"Herewith everything and anything contained in Bid document No.9100/CREDA/HOR/RE-III/O&M/ Spare SDP /2020-21 Dated: 26.10.2020 is part of this agreement which has been dully signed by both bidder and authorised signatory of CREDA".

In witness whereof the parties present today has hereby entered into agreement.

Signed & sealed on behalf of the above

Named contractor

Name :

Designation :

Witness:

1.Name:-.....

Address:-.....

2.Name:-.....

Address:-.....

Signed on behalf of CREDA

Name:

Designation:

1. Name:-.....

Address:-.....

2. Name:-.....

Address:-.....

SCHEDULE - I
PART 'A': GENERAL INFORMATION

(Strike off whichever is not applicable. Separate sheets should be used, wherever necessary)

- | | | | |
|-----|--|---|----------------------|
| 01. | Name & Address of the Bidder | : | |
| 02. | Name & Address of the firm/Company etc. | : | |
| | a) Registered office | : | |
| | b) Factory/works address | : | |
| | c) Fax Nos. | : | |
| | d) Telephone / Mobile Nos. | : | |
| | e) Email id | : | |
| 03. | Confirm whether Tenderer is Manufacturer | : | Yes/No |
| 04. | Only manufacturer to give following particulars | | |
| | a) Address of factory | : | |
| | b) Year of starting manufacture | : | |
| | c) Whether same/similar materials
Manufactured earlier
(if yes, give reference) | : | |
| | d) Yearly/monthly production capacity | : | |
| | e) Maximum yearly production
Achieved so far | : | |
| 05. | Whether the firm is SSI/MSME Unit of
Chhattisgarh State: | : | Yes/No |
| | a) If yes, write registration No. | : | |
| | b) Whether documentary evidence
Regarding registration enclosed | : | |
| | c) Items for registration | : | |
| | d) Period of registration | : | |
| | d) Whether latest copy Competency/
Certificate furnished | : | Yes/No |
| 06. | Whether the firm is 100% owned by | | |
| | a) State Government | : | Yes/No |
| | b) Central Government | : | Yes/No |
| | If yes, Notification/certificate issued from
The competent authority to this effect is enclosed | : | Yes/No |
| 07. | a) Whether the bidder is old participant
with CREDA | : | Yes/No |
| | b) If yes, whether documentary
Evidence is enclosed. | : | Yes/No |
| 08. | Any other information that bidder may like
to give in order to highlight his bid | : | If yes, give details |

PLACE :

SIGNATURE OF TENDERER

NAME IN FULL

DATE:

DESIGNATION/STATUS

FIRM/COMPANY SEAL

PART 'B': COMMERCIAL INFORMATION

(Strike off, whichever is not applicable. Separate sheets should be used. Wherever necessary)

01. i) Earnest Money Details : Bank draft/Bankers cheque payable to "CREDA", Raipur
- ii) Amount of E.M.D. & full details : ₹.
- iii) If exempted, state whether the bidder i / Fully Owned State/Central Govt. Unit : SSI/MSME Unit of C.G.
- iv) Reference of documentary evidence regarding exemption enclosed. : Yes/No
02. Whether the offer is valid for 6 months from the date of opening of commercial/technical bid. : Yes/No
03. Rate of Sales Tax on the date of bid (exclusive in the rate quoted) :
04. **DISCOUNT:**
- a) Whether any rebate/discount is offered. : Yes/No
- b) If yes, whether the rebate is unconditional/conditional Rate/amount of rebate/discount : Yes/No
- c) If conditional State condition : Yes/No
05. **PAYMENT TERMS:**
Whether CREDA's terms of payment is acceptable to Tenderer : Yes/No
06. **COMPLETION PERIOD OF WORK:**
Whether tenderer is agreeing for completion period of work as Specified in the tender : Yes/No
07. **PENALTY CLAUSE:**
Whether agreeable to CREDA's Penalty Clause : Yes/No
08. Whether agreeable to CREDA's clause of warrantee period : Yes/No
09. **SECURITY DEPOSIT:**
Whether Security Deposit clause is understood : Yes/No
10. Indicate State, Central Sales Tax Registration Number State : Yes/No
Central:
- (Please Note that in case of non-registration with Commercial Tax, Department Purchase Tax as admissible shall be deducted by the Purchaser from the Bills of the supplier)
11. Please mention whether rates offered are applicable for part quantities. : Yes/No

PLACE:

SIGNATURE OF TENDERER

DATE:

NAME IN FULL

DESIGNATION/STATUS

FIRM/COMPANY SEAL

SCHEDULE - II
PART 'C': TECHNICAL INFORMATION

(Strike off whichever is not applicable. Separate sheets should be used. Wherever necessary)

01. Whether material offered is exactly as per technical specification : Yes/No
02. Whether the copies of orders received during last 3 years from other State Nodal Agency or from other Organization for similar materials enclosed. : Yes/No
(if yes, give details)
03. Whether performance certificate from such Organization regarding supplies is enclosed. : Yes/No
(if yes, give details)
04. Whether pamphlets/technical details literatures along with drawing etc. furnished with the offer : Yes/No
(if yes, give details)
05. Whether the tenderer agrees to furnish material test certificates in respect of chemical composition and physical properties from Govt./ Govt. approved lab with each batch of supplies. : Yes/No
06. Whether the tenderer has furnished details of manufacturing equipments and short history of plant : Yes/No
(if yes, give details)
07. Whether details of manufacturing process furnished with offer. : Yes/No
(if yes, give details)
08. a) Whether all testing facilities are available. : Yes/No
If so, give details and in case of non-availability of facilities indicate approved lab available in surrounding areas where tests are proposed to be conducted.

PLACE

SIGNATURE OF TENDERER

DATE

NAME IN FULL

DESIGNATION/STATUS

FIRM/COMPANY

SEAL

SCHEDULE - III
TECHNICAL DEVIATIONS

From,
Tenderer Name & Address -

To,
**The CE,
CREDA, HO,
Raipur**

Sub – Technical Deviations.

Dear Sir,

The technical deviations & variations to the specifications stipulated in the tender, for the item quoted are as under -

Sl. No.	Condition	Clause No. of Tender document	Page No. of Tender document	Statement of deviations and variations

2. Except aforesaid deviations, the entire order, if placed, on us shall be executed in accordance with your specifications and other conditions. Variation/deviations etc. if found, elsewhere in our offer should not be given any considerations while finalizing the tender.

PLACE

DATE

SIGNATURE OF TENDERER

NAME IN FULL

DESIGNATION/STATUS

FIRM/COMPANY SEAL

* **NOTE**-Continuation sheet of like size & format may be used as per bidder's requirements and shall be annexed to this schedule.

SCHEDULE - IV
PAST EXPERIENCE

From :
Bidder's Name & Address -

To,
The CE,
CREDA, HO,
Raipur

Sub - Performance/Past Experience.

Dear Sir,

We furnish herewith the record of our performance and experience as follows -

Sl. No.	Purchaser's Name & Address	Order No. Date	Ordered Quantity	Qty. supplied (Nos.)	Value of Order
---------	-------------------------------	-------------------	---------------------	-------------------------	-------------------

PLACE

SIGNATURE OF TENDERER

DATE

NAME IN FULL

DESIGNATION/STATUS

FIRM/COMPANY SEAL

***NOTE-**Photocopy of the orders & performance reports received from other State Agencies/Govt. Undertakings etc. should be enclosed.

Experience Certificate (Draft)

Ref. No.....

Date.....

Certificate of Completion

This is to certify that **Name of Bidder, Address of Registered Office** has successfully completed the supply ofNos. Pumps (.....Scheme) andNos. VFD controller against various Sanction of Name of Agency at various locations in.....State, as per following details –

Cap. of Pumps	Name of Scheme 1	Name of Scheme 2	Total no. of Pump
Total -			
Total Order Amount -			

This workmanship and performance of the systems are found satisfactory.

Seal & Sign
(Authorised Signatory)

END